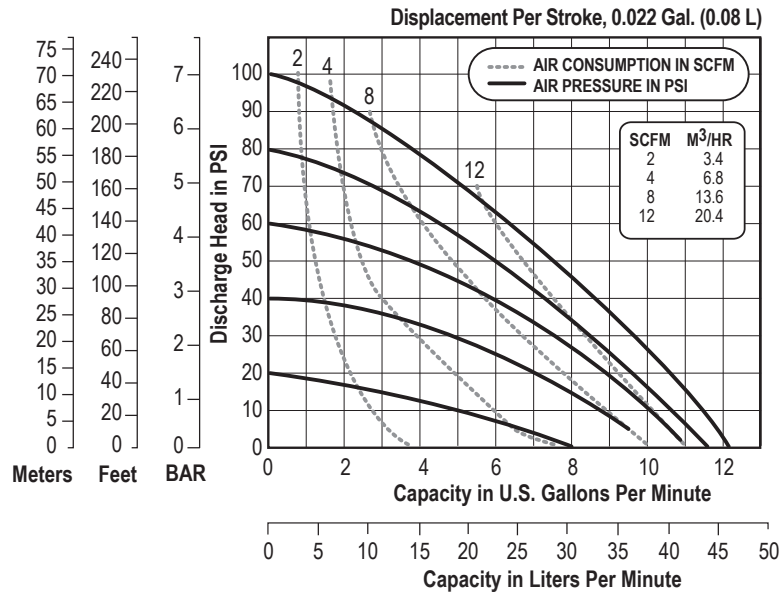


E5 DATA SHEET

SPECIFICATIONS & PERFORMANCE

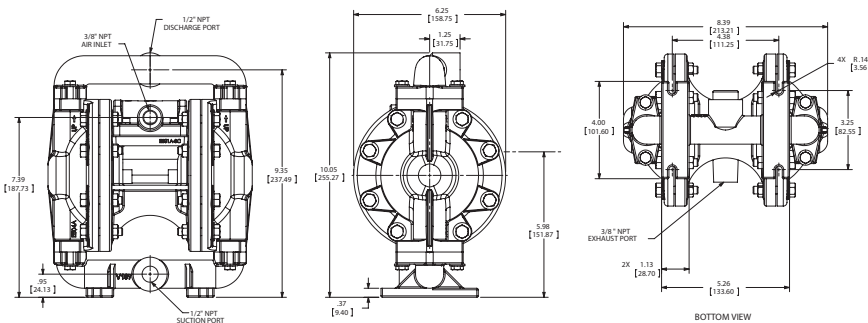
1/2" Bolted Metal with Metal and Plastic Center Sections

PERFORMANCE



NOTE: Performance based on the following: elastomeric fitted pump, flooded suction, water at ambient conditions. The use of other materials and varying hydraulic conditions may result in deviations in excess of 5%.

DIMENSIONS



SPECIFICATIONS

Flow Rate

Adjustable to . . . 0-12 gpm (45.4 lpm)

Port Size

Suction 1/2" NPT

Discharge 1/2" NPT

Air Inlet 3/8" NPT

Air Exhaust 3/8" NPT

Suction Lift

Dry 13' (3.9 m)

Wet 22' (6.7 m)

Max Solid Size (Diameter)

. 1/16" (1.6 mm)

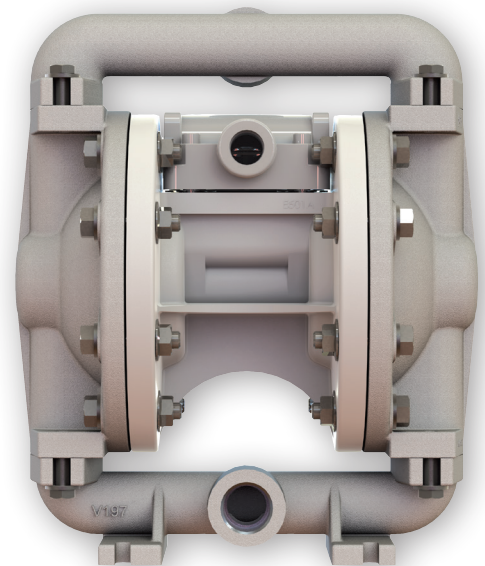
Max Noise Level 84 dB(A)

Shipping Weights

Aluminum 11 lbs (3.9 kg)

Stainless 17 lbs (7.7 kg)

Alloy C. 17 lbs (7.7 kg)



VERSAMATIC®

Warren Rupp, Inc. | A Unit of IDEX Corporation
800 North Main Street | Mansfield, OH 44902 USA
Phone: 419.526.7296 | Fax: 419.526.7289

VERSAMATIC.COM

e5mdlCds-rev0519

©Copyright 2019 Warren Rupp, Inc. All Rights Reserved.